

# IR REMOTE CONTROL 8 REKEY ON/OFF SYSTEM

## (By Mr. Adeeb Raza)

//This Programme has configure to Use any IR Remote Control  
//For Controlling 8 Relays On/Off any Electrical Gadget/Machine  
// Programme by Mr. Adeeb Raza

```
#include <IRremote.h>
```

```
int IRpin = 12;  
IRrecv irrecv(IRpin);  
decode_results results;
```

```
void setup()
```

```
{  
  Serial.begin(9600);  
  irrecv.enableIRIn(); // Start the receiver  
  pinMode(2,OUTPUT);  
  pinMode(3,OUTPUT);  
  pinMode(4,OUTPUT);  
  pinMode(5,OUTPUT);  
  pinMode(6,OUTPUT);  
  pinMode(7,OUTPUT);  
  pinMode(8,OUTPUT);  
  pinMode(9,OUTPUT);  
  pinMode(13,OUTPUT);  
}
```

```
void loop()
```

```
{  
  if (irrecv.decode(&results))  
  {  
    Serial.println(results.value); // Print the Serial 'results.value'  
    delay(10);  
  
    if(results.value==2160019894) // Key 1 = 2160030094 = ON'  
      digitalWrite(2,HIGH);  
  
    if(results.value==2160023974) // Volume Down = 2160013774 = OFF'  
      digitalWrite(2,LOW);  
  
    if(results.value==2160052534) // Key 2 = 2160030094 = ON'  
      digitalWrite(3,HIGH);  
    if(results.value==2160056614) // Volume Down = 2160013774 = OFF'  
      digitalWrite(3,LOW);  
  
    if(results.value==2160014284) // Key 3 = 2160030094 = ON'  
      digitalWrite(4,HIGH);  
    if(results.value==2160048454) // Volume Down = 2160013774 = OFF'  
      digitalWrite(4,LOW);  
  
    if(results.value==2160030094) // Key 4 = 2160030094 = ON'  
      digitalWrite(5,HIGH);  
    if(results.value==2160032134) // Volume Down = 2160013774 = OFF'  
      digitalWrite(5,LOW);  
  
    if(results.value==2160062734) // Key 5 = 2160030094 = ON'  
      digitalWrite(6,HIGH);  
    if(results.value==2160050494) // Volume Down = 2160013774 = OFF'  
      digitalWrite(6,LOW);  
  }  
}
```

```

if(results.value==2160006124) // Key 6 = 2160030094 = ON'
digitalWrite(7,HIGH);
if(results.value==2160024484) // Volome Down = 2160013774 = OFF'
digitalWrite(7,LOW);

if(results.value==2160021934) // Key 7 = 2160030094 = ON'
digitalWrite(8,HIGH);
if(results.value==2160046924) // Volome Down = 2160013774 = OFF'
digitalWrite(8,LOW);

if(results.value==2160054574) // Key 8 = 2160030094 = ON'
digitalWrite(9,HIGH);
if(results.value==2160002044) // Volome Down = 2160013774 = OFF'
digitalWrite(9,LOW);

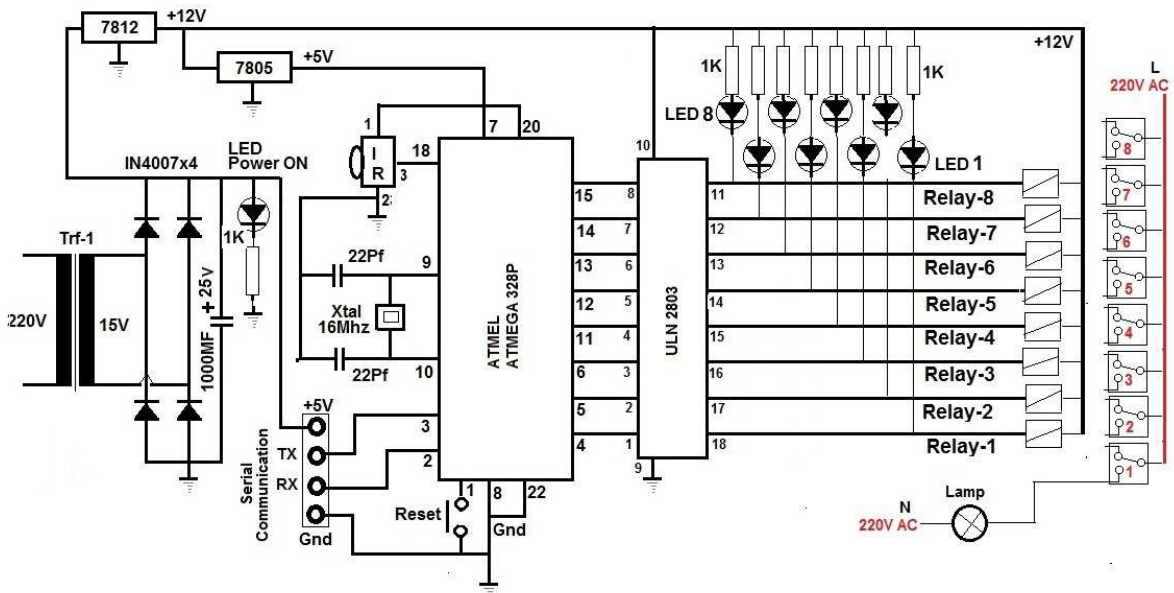
irrecv.resume(); // Receive the next value
}
}

```

END OF PROGRAMME

Copy & past code from here ar Download Code From following Link <http://areptone.in/arduino/arduino-project/ir-8-relay.rar>

Circuit Details



Circuit Diagram Of IR Remotr Contoller of 8 Relay System

(By Mr. ADEEB RAZA)



REMOTE CONTROLLER